

Using the Quick Start Building Blocs to quickly ramp up

This section describes how to use Quick-Start Building Blocks to construct everyday business scenarios by applying them to realize value visible to Business Stakeholders and yet allow for different technical subject matter experts working relatively independent towards delivering such business scenario.

It will serve two purposes:

- For the DSP (operator or other player) preparing to offer such TM Forum Open Digital API service in general (nationally / internationally across subsidiaries)
- for the community / party that wants to understand how API are used in conjunction with others, their variations (use cases) and applicability (in end to end processes)

To proof their usability, we can use the example of a standard process such as T2R (trouble to resolve) and show by reference how a generic process may be plugged-in (and modified) to fit another business scenario.

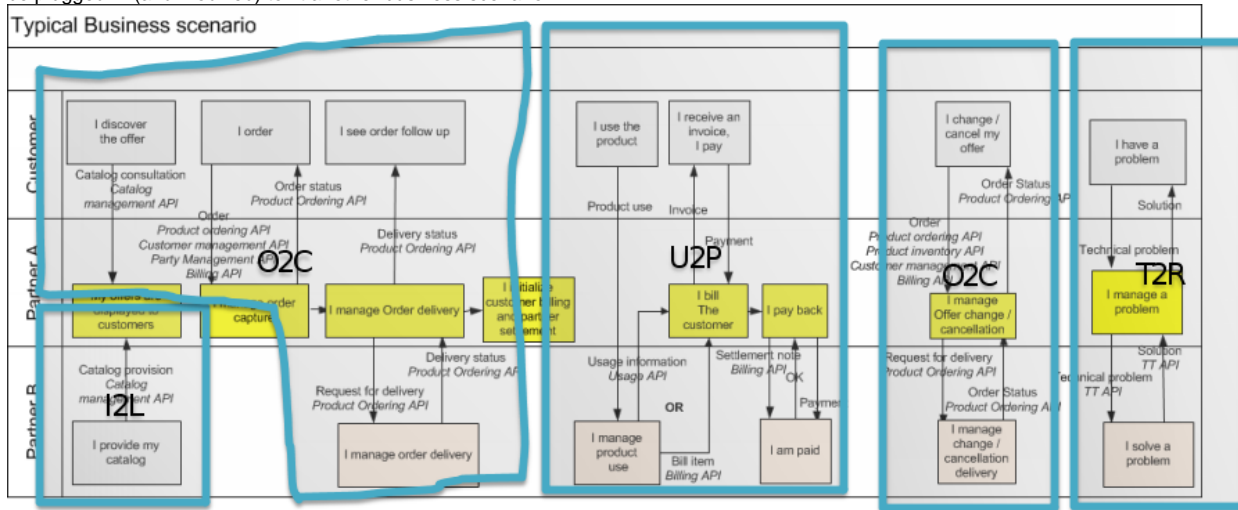


Figure 16 Separation of interests into major e2e processes - Applying e2e processes blocks

We can also quickly evaluate the coverage of an existing business scenario. See for example **Error! Reference source not found.**, below. It is clear that there might be challenges in rolling out the scenario if A) Idea to Launch, i.e. setting up partnerships upfront, is neglected before a converged offer is built, and B) tracking customer usage and profile information (beyond billing relevant information) might not be sufficient for measuring campaign effectiveness.

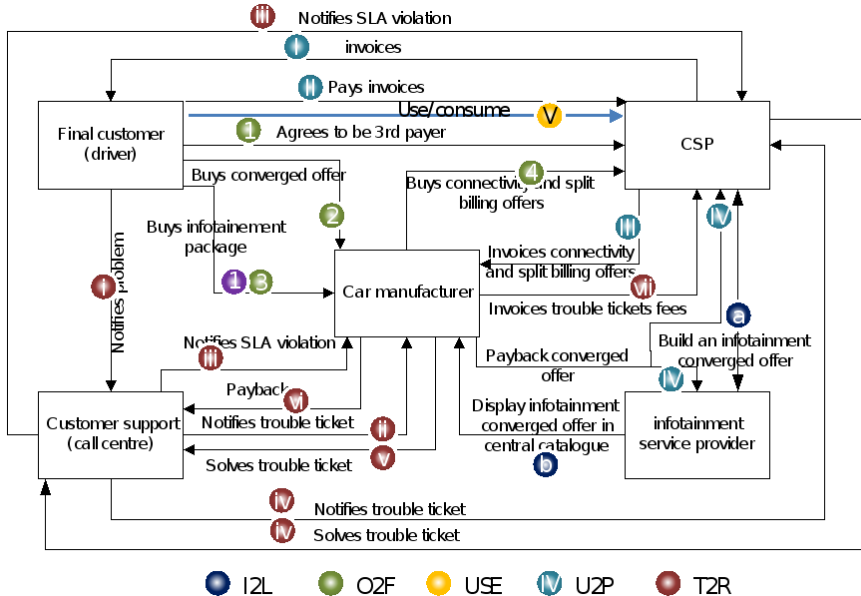


Figure 17 : Applying e2e services in an e2e process onto a Business Scenario